

OMEGA Console-mounted rope winch

Capacity 800 and 1000 kg

Developed for special challenges:
The OMEGA and OMEGA Offshore versions are prepared for manual operation and operation via an external motor-powered drive.

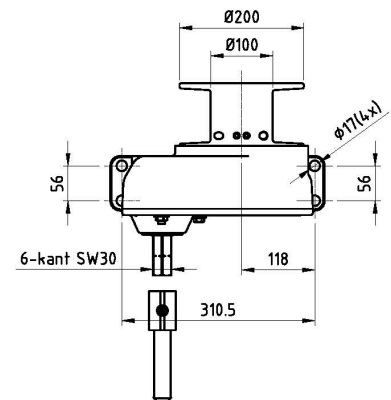
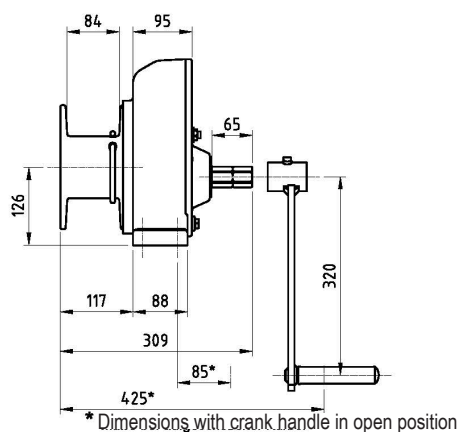
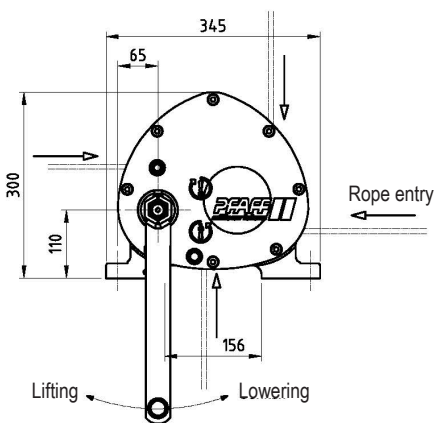
Features

- Removable hand crank.
- Encapsulated gearbox running in oil bath.
- High-quality painting to improve corrosion protection.
- External motorized drive possible (OMEGA Offshore).

Technical data OMEGA

Model	Art.-No.	Capacity 1 st layer	Capacity top layer	Useable rope length 1 st layer	Useable rope length top layer	Rope diameter	Lift per crank rotation	Lift per crank rotation top layer	Required crank effort	Driving torque Mta	Weight without rope
		kg	kg	m	m	mm	mm	mm	daN	Nm	kg
OMEGA	192010587	1000	692	1.6	13.1	8 ¹	29	42	17	54	approx. 38
OMEGA Offshore	192010589	800	800	1.2	4.3	10 ²	30	35	17	54	approx. 38

¹recommended rope: DIN EN 12385 SE 1960 N/mm ²recommended rope: DIN 3069 SE 1770 N/mm²



Ex-version available!
We are pleased to send you our new
Atex catalogue in PDF format.